

## SAT-1

### Signal Alarm Tower

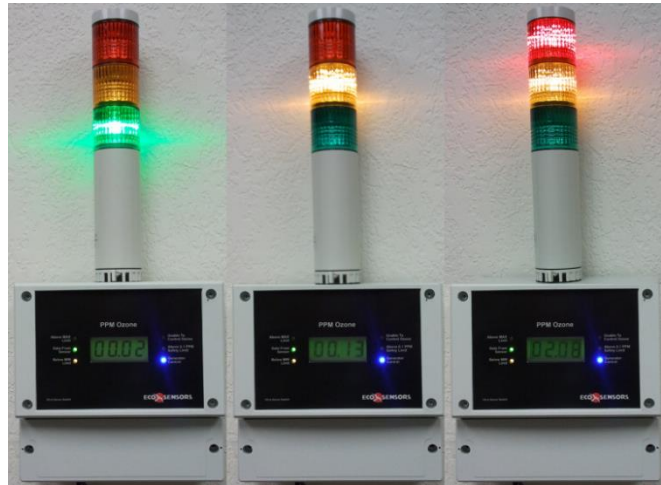
#### Overview

The SAT-1 is a tower light stack with an audible alarm that may be used to indicate various states of operation when connected to Eco Sensors instruments including the OS-4, OS-6 (depicted), C-30ZX, EE-2, OEM-1, OEM-2, and UV-100. The indicator lights and audible alarm are controlled by relay contact closure.

The SAT-1 requires a 24 VDC, 500 mA power supply, which is compatible with many Eco Sensors instruments. Refer to the User Manual of your Eco Sensors instrument for details.

The SAT-1 can be mounted on new OS-6 orders at the Eco Sensors factory or ordered separately and installed by the user. Hardware is included for direct mount only.

For more information, contact us at (800) 472-6626 or e-mail at [sales@ecosensors.com](mailto:sales@ecosensors.com).

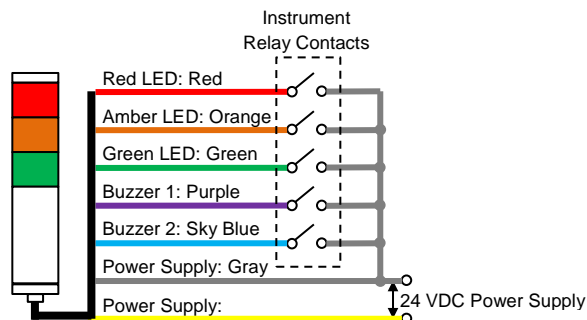


#### Installation and Operation

Carefully read and follow the instructions in the Installation Manual (included with your product shipment).

The SAT-1 requires a 24 VDC, 500 mA power supply, which is compatible with many Eco Sensors instruments. Therefore, the SAT-1 and a compatible Eco Sensors instrument may both be connected to a single 24 VDC, 500 mA power supply. Refer to the User Manual of the Eco Sensors instrument for power supply details.

The indicator lights and audible alarms of the SAT-1 may be configured in a variety of combinations to suit the application and to enhance the functionality of the Eco Sensors instrument. The general wiring diagram is shown below. Suggested wiring configurations for most Eco Sensors instruments are included on the following page.



## Optional Wiring Configurations

Optional wiring configurations for the SAT-1 are depicted below for reference only. The indicator lights and alarms are not limited to these configurations. The user may configure the lights and alarms to suit the application. Refer to the instrument's User Manual for details on power supply requirements and relay operation.

<p style="text-align: center;"><b>OS-6*</b></p> <p>Green light on: ozone &lt; 0.1 ppm            Yellow light on: ozone ≥ 0.1 ppm            Red light &amp; buzzer on: ozone &gt; MAX limit or ozone &lt; MIN limit for the number of minutes specified by FAIL</p> <p style="text-align: center;">* This is the default configuration for a SAT-1 mounted at the factory.</p>	<p style="text-align: center;"><b>OS-4</b></p> <p>Green light on: ozone &lt; 0.1 ppm            Yellow light on: ozone ≥ 0.1 ppm</p>
<p style="text-align: center;"><b>C-30ZX</b></p> <p>Green light on: ozone &lt; 0.1 ppm            Yellow light on: ozone ≥ 0.1 ppm</p>	<p style="text-align: center;"><b>EE-2</b></p> <p>Green light on: ozone &lt; 0.1 ppm            Yellow light on: ozone ≥ 0.1 ppm</p>
<p style="text-align: center;"><b>OEM-1*</b></p> <p>Green light on: ozone &lt; setpoint            Yellow light on: ozone ≥ setpoint</p> <p>* The OEM-1 only accepts 12 VDC, 120 VAC, or 240 VAC. A separate 24 VDC power supply must be used to power the SAT-1.</p>	<p style="text-align: center;"><b>OEM-2</b></p> <p>Green light on: ozone &lt; setpoint            Yellow light on: ozone ≥ setpoint</p>
<p style="text-align: center;"><b>UV-100*</b></p> <p>Green light on: ozone within setpoints            Red light &amp; buzzer on: ozone outside setpoints</p> <p>* If the same power supply is used for both the SAT-1 and UV-100, a 24 VDC, 1A supply is required.</p>	<p style="text-align: center;"><b>C-21 (VOC Sensor)*</b></p> <p>Red light &amp; buzzer on: ozone ≥ alarm setpoint</p> <p>* The C-21 only accepts 12 VDC. A separate 24 VDC power supply must be used to power the SAT-1.</p>

## Service and Maintenance

There are no user serviceable parts inside the SAT-1. Contact Eco Sensors at (800) 472-6626 or e-mail at sales@ecosensors.com for more information.

## Specifications

<b>Indicator Lights:</b>	Green, Amber, Red; High 360° visibility
<b>Audible Alarm:</b>	None, Slow Pulse, Fast Pulse; 85 dB at 1 m
<b>Voltage:</b>	24 VDC
<b>Current Consumption</b>	
<b>Lights:</b>	Green: 22 mA, Amber: 28 mA, Red: 28 mA
<b>Buzzer:</b>	40 mA
<b>Power Supply:</b>	350 mA
<b>Mounting Location:</b>	Indoor use only
<b>Size:</b>	40 mm X 228 mm (1.57" X 8.97")

## WARRANTY

This product is warranted against defects in materials and workmanship for one year following the date of purchase by the original owner. This warranty does not include damage to the product that results from misuse, accident, dropping, modifications or alterations, and it does not apply if the instructions in this manual are not followed, or if the unit is otherwise used outside its intended specifications.

If a defect develops during the warranty period, Eco Sensors, in its sole discretion, will repair the instrument or replace it with a new or reconditioned model of equivalent quality. In the event of replacement with a new or reconditioned instrument, the replacement unit will continue the warranty of the original unit.

If the product should become defective during the warranty period, please return it through your distributor, or call Eco Sensors at (800) 472-6626 or e-mail at sales@ecosensors.com to receive return instructions and a Return Materials Authorization (RMA) number.

Except as provided herein, Eco Sensors makes no warranties, express or implied, including warranties of merchantability and fitness for a particular purpose. Eco Sensors shall not be liable for loss of use of this instrument or other incidental or consequential damages, expenses or economic loss, or claims for such damage or economic loss.

RECORD YOUR SERIAL NUMBER HERE

---

KEEP THIS MANUAL AND WARRANTY FOR YOUR RECORDS.

Eco Sensors is a registered trademark of Eco Sensors, Division of KWJ Engineering, Inc.

© Eco Sensors, Division of KWJ Engineering, Inc. 2013.