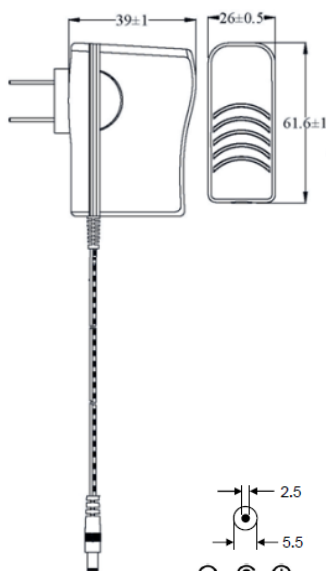
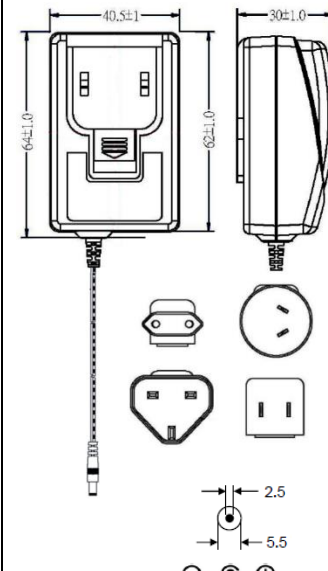
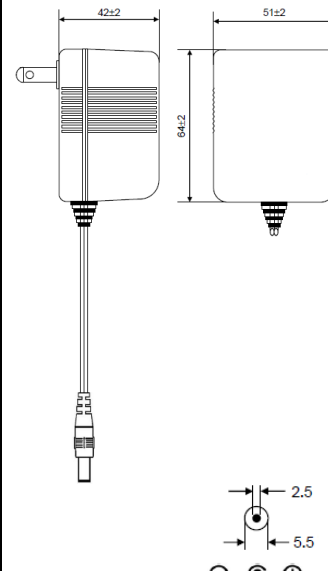


TECHNICAL NOTE P-101

AC Adapters for Eco Sensors Instruments

Eco Sensors' instruments are generally sold with AC adapters, which convert AC line voltage to DC voltage. AC adapters sold by Eco Sensors, after July 1, 2012, are rated for a universal input voltage of 100~240 VAC at 47~63 Hz. The P-20, with a plug configuration Type A (North American), is the standard adapter that is compatible with most instruments. The P-20-INTL can also be purchased from Eco Sensors if Type A is not compatible with your local plug type. Alternatively, you may use a third-party plug converter or AC adapter suitable for your location, at your own discretion. Please refer to the instrument's User Manual for power specifications.

	P-20	P-20-INTL	Legacy P-20
Input	100~240 VAC, 47~63 Hz	100~240 VAC, 47~63 Hz	120 VAC, 60 Hz
Plug Type	Type A (North America)	Includes 4: Type A (North America), E (Europe), G (Great Britain), I (Australia)	Type A (North America)
Output	12 VDC, 0~500 mA	12 VDC, 0~500 mA	12-18 VDC, 0~500 mA
DC Cord	8 ft, 24 AWG	8 ft, 24 AWG	6ft, 24 AWG
DC Barrel	5.5 mm/2.5 mm x 11 mm, center positive	5.5 mm/2.5 mm x 11 mm, center positive	5.5 mm/2.5 mm x 11 mm, center positive
Operating Temperature	0 ~ 40 °C	0 ~ 40 °C	0 ~ 40 °C
Operating Humidity	10% ~ 95% RH	10% ~ 95% RH	10% ~ 95% RH
Approvals	UL/CUL, FCC, LPS, PSE, WEEE, ROHS, V	UL/CUL, GS, CE, BSMI, RCM, PSE	UL/CUL
Drawings (units in mm)			
Comments	Standard for most products requiring 12 V and up to 6 W.	Available international option for most products requiring 12 V and up to 6 W.	Legacy standard for most products. No longer available.

	P-20-12	P-20-15	P-24-24
Input	100~240 VAC, 47~63 Hz	100~240 VAC, 47~63 Hz	100~240 VAC, 47~63 Hz
Plug Type	Type A (North America)	Type A (North America) is standard. Special order: European, UK, Australian, China, Korea, Brazil, India, Argentina	Type A (North America)
Output	12 VDC, 0~1000 mA	12 VDC, 0~1250 mA	24 VDC, 0~1000 mA
DC Cord	5 ft, 22 AWG	6 ft, 18-24 AWG	6 ft, 20 AWG
DC Barrel	5.5 mm/2.5 mm x 9.5 mm, center positive	5.5 mm/2.1 mm x 10 mm, center positive	5.5 mm/2.5 mm x 14 mm, center positive
Operating Temperature	0 ~ 40 °C	0 ~ 40 °C	0 ~ 40 °C
Operating Humidity	20% ~ 80% RH	20% ~ 90% RH	20% ~ 80% RH
Approvals	UL/CUL, FCC, LPS, PSE, BSMI, WEEE, ROHS, V	UL/CUL, FCC, CE, TUV, SAA, C-Tick, ROHS	UL/CUL, FCC, LPS, PSE, WEEE, ROHS, V
Drawing (units in mm)			
Comments	For DOM-1 and other products requiring 12 V up to 12 W.	For UV-100 and other products requiring 12 V and up to 15 W. Type A plug is standard. Other types are special order.	For SAT-1 and other products requiring 24 V and up to 24 W.